

View more images of this product [online](#)

## CADILLA BW

### OVERVIEW

The reclining version of the Cadilla Styling chair.

The Cadilla: strong yet compact, and stylish in a subtle way, the Cadilla will be at home in any salon regardless of style or decor.

The Cadilla is particularly suited to the current trend of small contemporary Barber's shops and salons wanting to move away from flimsy overly designed furniture. The design of the chair makes it big enough to accommodate larger customers, but its compact size means it will not over crowd small salons.

### PRODUCT OPTIONS

Available in various colours.



SP - YFS



SP - YFL



SP - AC/AD



SP - YA

If you require any further information on this product and the available options, please contact our London office on [hairstyling@takara.co.uk](mailto:hairstyling@takara.co.uk)



# CADILLA BW

## DIMENSIONS

All dimensions in millimetres.

Height: 830

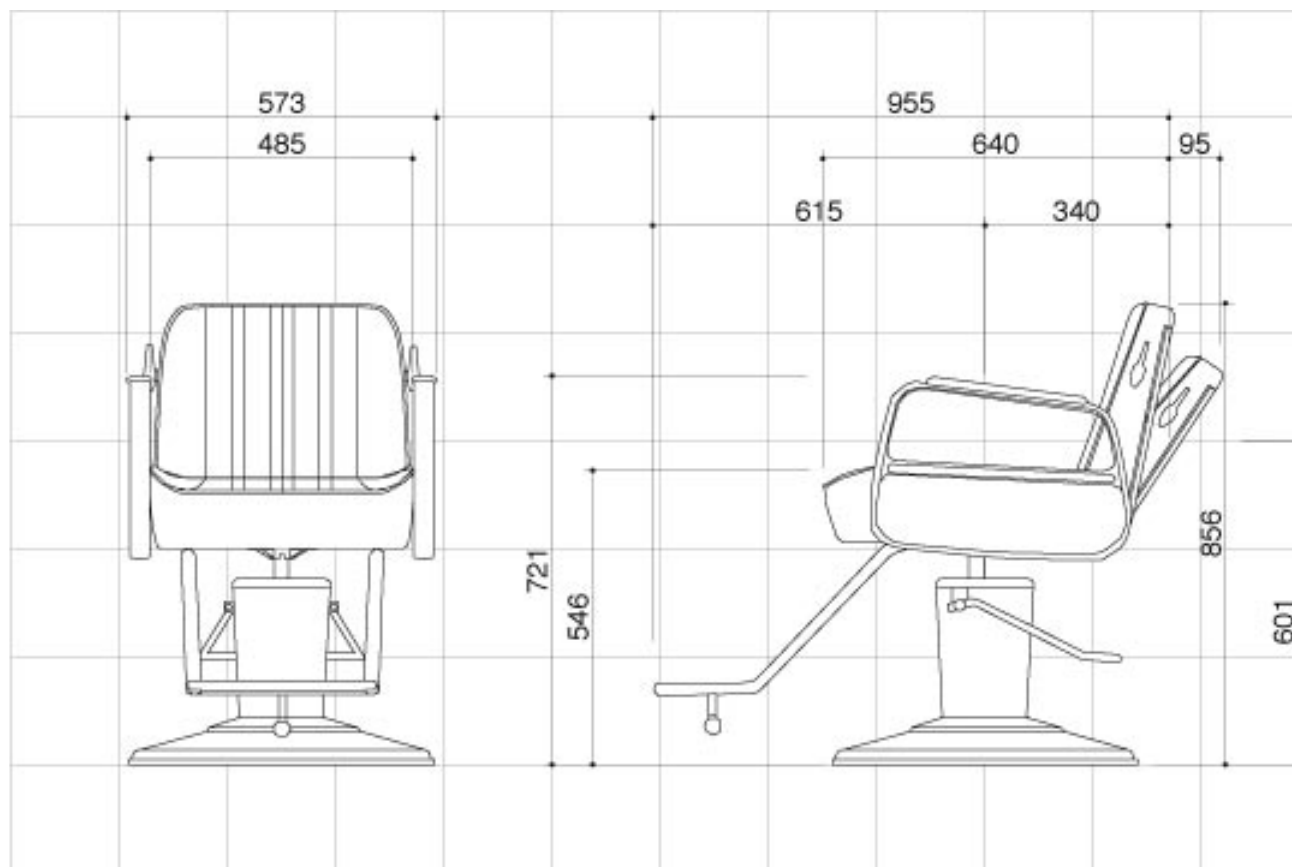
Outer Width: 573

Depth: 950-1165

Initial Seat Height: 520

Stroke: 175

Weight: 39kg



# CADILLA BW

## **FAQs**

WHAT IS THE DIFFERENCE BETWEEN THE 'C' AND 'D' FINISHES?

This refers to the finish of the metal-work on the chair top. 'C' stands for 'Chrome' (high polished finish) and 'D' stands for 'Dull' (matt, dull finish).

DOES THE COLOUR STRIPE ON THE SIDE COME IN OTHER COLOURS?

Yes; blue, green, orange and white.

IS IT AVAILABLE FROM STOCK?

Black upholstery, high chrome finish with the round SL-85C base is available in 7-10 days, all other specifications are by special order.

IS THERE A BACKWASH VERSION AVAILABLE?

Yes, the Cadilla 282 C/D.

---