

View more images of this product [online](#)

BRIDGE

OVERVIEW

A sturdy, metal framework is softened with upholstered struts that give full, ergonomic support.

PRODUCT OPTIONS

Available as shown.



SP - YFS



SP - YFL



SP - AC/AD



SP - YA

If you require any further information on this product and the available options, please contact our London office on hairdressing@takara.co.uk



BRIDGE

DIMENSIONS

All dimensions in millimetres.

Height: 886

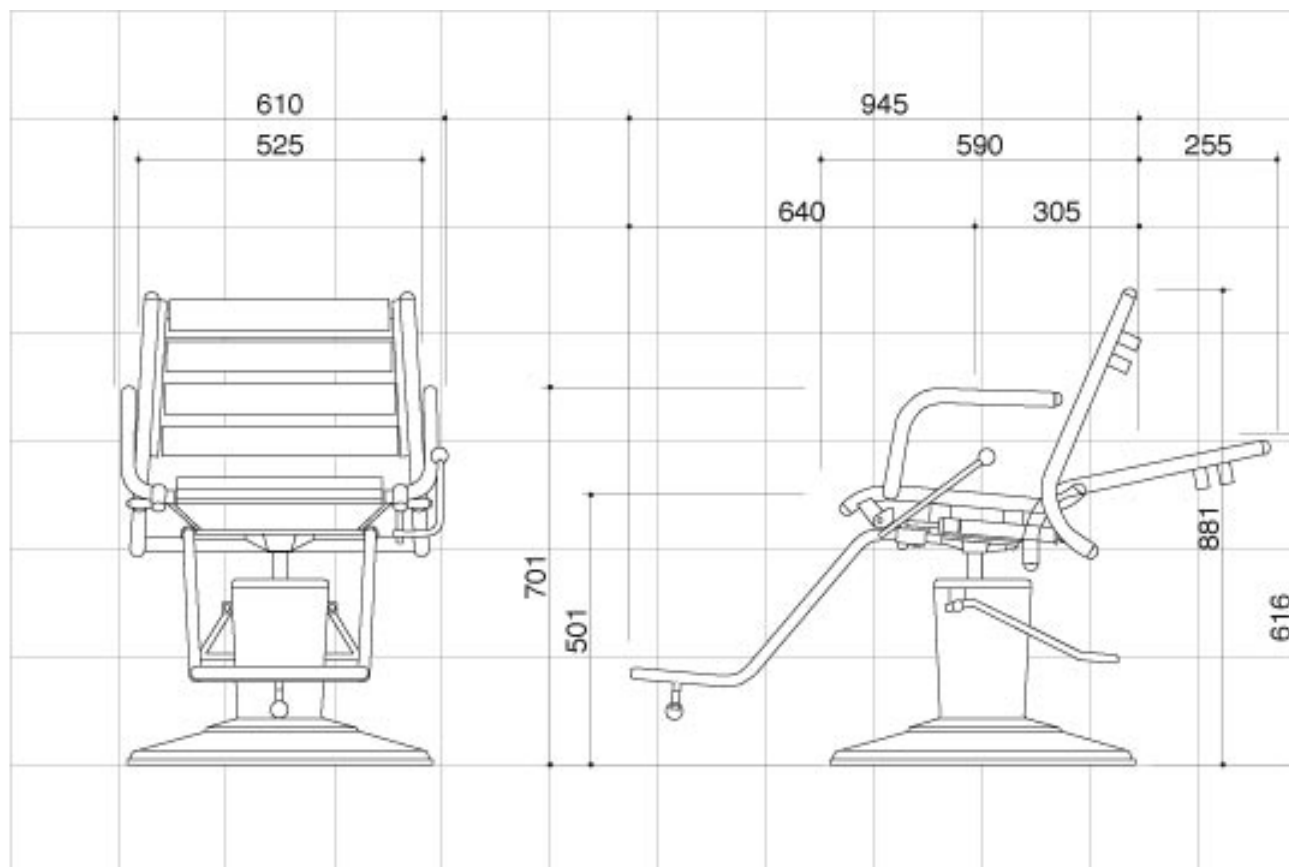
Outer Width: 620

Depth: 955

Initial Seat Height: 501

Stroke: 175

Weight: 29Kg



BRIDGE

FAQs

WHAT IS THE DIFFERENCE BETWEEN THE 'C' AND 'D' FINISHES?

This refers to the finish of the metal-work on the chair top. 'C' stands for 'Chrome' (high polished finish) and 'D' stands for 'Dull' (matt, dull finish).

Is it available from stock?

No, the Bridge is currently a special order item.

IS THERE A BACKWASH VERSION AVAILABLE?

Yes, the Bridge 281 C/D.
